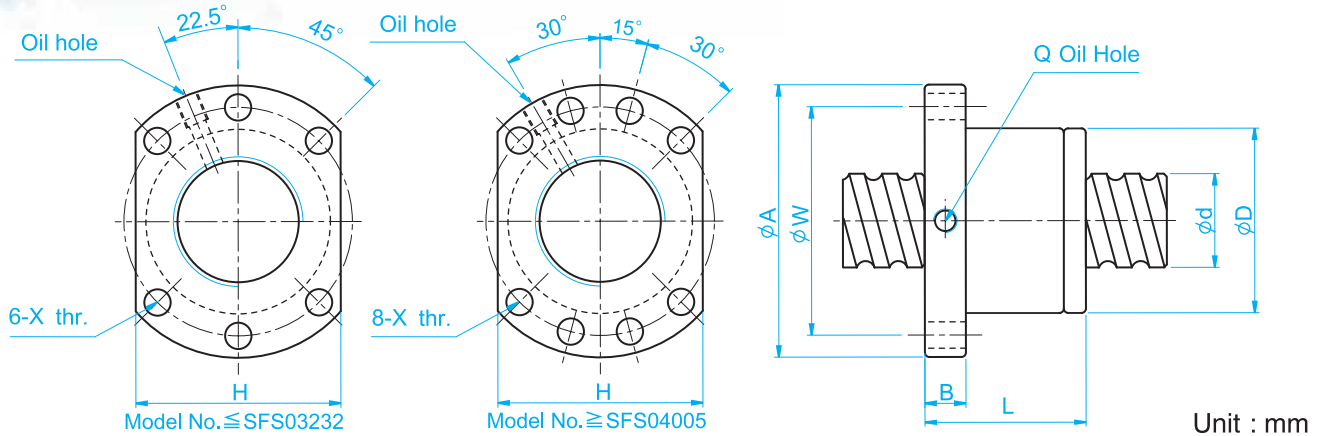


Dimension Table of TBI MOTION Ball Screws

(TYPE) : SFS (DIN 69051 FORM B)

High-Speed Ball Screw



Unit : mm

| Model No. | Dimensions | | | | | | | | | | | | | | |
|--------------|------------|-------|-------|-----|----|-----|------|-----|------|-----|-------|-------|-------|------|----|
| | d | l | Da | D | A | B | L | W | H | X | Q | n | Ca | Coa | K |
| SFS01205-2.8 | 12 | 5 | 2.5 | 24 | 40 | 10 | 31 | 32 | 30 | 4.5 | | 2.8x1 | 661 | 1316 | 19 |
| SFS01210-2.8 | | 10 | 2.5 | 24 | 40 | 10 | 48.5 | 32 | 30 | 4.5 | | 2.8x1 | 642 | 1287 | 19 |
| SFS01605-3.8 | 15 | 5 | 2.778 | 28 | 48 | 10 | 38 | 38 | 40 | 5.5 | M6 | 3.8x1 | 1112 | 2507 | 30 |
| SFS01610-2.8 | | 10 | 2.778 | 28 | 48 | 10 | 47 | 38 | 40 | 5.5 | M6 | 2.8x1 | 839 | 1821 | 23 |
| SFS01616-1.8 | | 16 | 2.778 | 28 | 48 | 10 | 45 | 38 | 40 | 5.5 | M6 | 1.8x1 | 552 | 1137 | 14 |
| SFS01616-2.8 | | 16 | 2.778 | 28 | 48 | 10 | 61 | 38 | 40 | 5.5 | M6 | 2.8x1 | 808 | 1769 | 22 |
| SFS01620-1.8 | | 20 | 2.778 | 28 | 48 | 10 | 57 | 38 | 40 | 5.5 | M6 | 1.8x1 | 554 | 1170 | 14 |
| SFS02005-3.8 | | 5 | 3.175 | 36 | 58 | 10 | 40 | 47 | 44 | 6.6 | M6 | 3.8x1 | 1484 | 3681 | 37 |
| SFS02006-4.8 | 6 | 3.175 | 36 | 58 | 10 | 50 | 47 | 44 | 6.6 | M6 | 4.8x1 | 1811 | 4644 | 47 | |
| SFS02008-4.8 | 8 | 3.175 | 36 | 58 | 10 | 60 | 47 | 44 | 6.6 | M6 | 4.8x1 | 1863 | 4861 | 50 | |
| SFS02010-3.8 | 10 | 3.175 | 36 | 58 | 10 | 60 | 47 | 44 | 6.6 | M6 | 3.8x1 | 1516 | 3833 | 40 | |
| SFS02020-1.8 | 20 | 3.175 | 36 | 58 | 10 | 57 | 47 | 44 | 6.6 | M6 | 1.8x1 | 764 | 1758 | 19 | |
| SFS02020-2.8 | 20 | 3.175 | 36 | 58 | 10 | 77 | 47 | 44 | 6.6 | M6 | 2.8x1 | 1118 | 2734 | 29 | |
| SFS02505-3.8 | 5 | 3.175 | 40 | 62 | 10 | 40 | 51 | 48 | 6.6 | M6 | 3.8x1 | 1650 | 4658 | 43 | |
| SFS02506-4.8 | 6 | 3.175 | 40 | 62 | 10 | 50 | 51 | 48 | 6.6 | M6 | 4.8x1 | 2015 | 5879 | 55 | |
| SFS02508-4.8 | 8 | 3.175 | 40 | 62 | 10 | 60 | 51 | 48 | 6.6 | M6 | 4.8x1 | 2009 | 5867 | 56 | |
| SFS02510-3.8 | 10 | 3.175 | 40 | 62 | 12 | 62 | 51 | 48 | 6.6 | M6 | 3.8x1 | 1638 | 4633 | 45 | |
| SFS02525-1.8 | 25 | 3.175 | 40 | 62 | 12 | 70 | 51 | 48 | 6.6 | M6 | 1.8x1 | 843 | 2199 | 22 | |
| SFS02525-2.8 | 25 | 3.175 | 40 | 62 | 12 | 95 | 51 | 48 | 6.6 | M6 | 2.8x1 | 1232 | 3421 | 34 | |
| SFS03205-3.8 | 5 | 3.175 | 50 | 80 | 12 | 42 | 65 | 62 | 9 | M6 | 3.8x1 | 1839 | 6026 | 51 | |
| SFS03206-4.8 | 6 | 3.175 | 50 | 80 | 12 | 51 | 65 | 62 | 9 | M6 | 4.8x1 | 2247 | 7608 | 65 | |
| SFS03208-4.8 | 8 | 3.969 | 50 | 80 | 12 | 62 | 65 | 62 | 9 | M6 | 4.8x1 | 3015 | 9181 | 68 | |
| SFS03210-3.8 | 10 | 3.969 | 50 | 80 | 13 | 62 | 65 | 62 | 9 | M6 | 3.8x1 | 2460 | 7255 | 55 | |
| SFS03220-2.8 | 20 | 3.969 | 50 | 80 | 12 | 80 | 65 | 62 | 9 | M6 | 2.8x1 | 1907 | 5482 | 43 | |
| SFS03232-1.8 | 32 | 3.969 | 50 | 80 | 13 | 84 | 65 | 62 | 9 | M6 | 1.8x1 | 1257 | 3426 | 27 | |
| SFS03232-2.8 | 32 | 3.969 | 50 | 80 | 13 | 116 | 65 | 62 | 9 | M6 | 2.8x1 | 1838 | 5329 | 42 | |
| SFS04005-3.8 | 5 | 3.175 | 63 | 93 | 15 | 45 | 78 | 70 | 9 | M8 | 3.8x1 | 2018 | 7589 | 60 | |
| SFS04006-4.8 | 6 | 3.175 | 63 | 93 | 14 | 50 | 78 | 70 | 9 | M6 | 4.8x1 | 2467 | 9583 | 77 | |
| SFS04008-4.8 | 8 | 3.969 | 63 | 93 | 14 | 61 | 78 | 70 | 9 | M6 | 4.8x1 | 3327 | 11491 | 81 | |
| SFS04010-3.8 | 10 | 6.35 | 63 | 93 | 14 | 63 | 78 | 70 | 9 | M8 | 3.8x1 | 5035 | 13943 | 67 | |
| SFS04020-2.8 | 20 | 6.35 | 63 | 93 | 14 | 82 | 78 | 70 | 9 | M8 | 2.8x1 | 3959 | 10715 | 54 | |
| SFS04040-1.8 | 40 | 6.35 | 63 | 93 | 15 | 105 | 78 | 70 | 9 | M8 | 1.8x1 | 2585 | 6648 | 34 | |
| SFS04040-2.8 | 40 | 6.35 | 63 | 93 | 15 | 145 | 78 | 70 | 9 | M8 | 2.8x1 | 3780 | 10341 | 52 | |
| SFS05005-3.8 | 5 | 3.175 | 75 | 110 | 15 | 45 | 93 | 85 | 11 | M8 | 3.8x1 | 2207 | 9542 | 68 | |
| SFS05010-3.8 | 10 | 6.35 | 75 | 110 | 18 | 68 | 93 | 85 | 11 | M8 | 3.8x1 | 5638 | 17852 | 79 | |
| SFS05012-3.8 | 12 | 6.35 | 75 | 110 | 18 | 75 | 93 | 85 | 11 | M8 | 3.8x1 | 5632 | 17836 | 81 | |
| SFS05020-3.8 | 20 | 6.35 | 75 | 110 | 18 | 108 | 93 | 85 | 11 | M8 | 3.8x1 | 5749 | 18485 | 87 | |
| SFS05050-1.8 | 50 | 6.35 | 75 | 110 | 18 | 125 | 93 | 85 | 11 | M8 | 1.8x1 | 2946 | 8749 | 42 | |
| SFS05050-2.8 | 50 | 6.35 | 75 | 110 | 18 | 175 | 93 | 85 | 11 | M8 | 2.8x1 | 4308 | 13610 | 65 | |
| SFS06310-3.8 | 10 | 6.35 | 90 | 125 | 18 | 70 | 108 | 95 | 11 | M8 | 3.8x1 | 6343 | 23308 | 94 | |
| SFS06316-3.8 | 16 | 6.35 | 90 | 125 | 18 | 95 | 108 | 95 | 11 | M8 | 3.8x1 | 6327 | 23262 | 100 | |
| SFS06320-3.8 | 20 | 7.144 | 95 | 135 | 20 | 116 | 115 | 100 | 13.5 | M8 | 3.8x1 | 7493 | 26424 | 105 | |
| SFS08010-3.8 | 10 | 6.35 | 105 | 145 | 20 | 70 | 125 | 110 | 13.5 | M8 | 3.8x1 | 6980 | 29563 | 105 | |
| SFS08020-3.8 | 20 | 9.525 | 125 | 165 | 25 | 120 | 145 | 130 | 13.5 | M8 | 3.8x1 | 12145 | 43598 | 128 | |
| SFS10020-3.8 | 20 | 12.7 | 150 | 202 | 30 | 124 | 176 | 155 | 17.5 | M8 | 3.8x1 | 19633 | 71408 | 152 | |